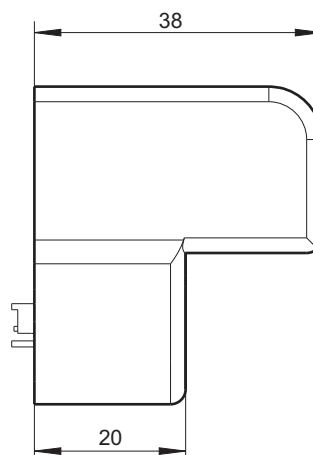
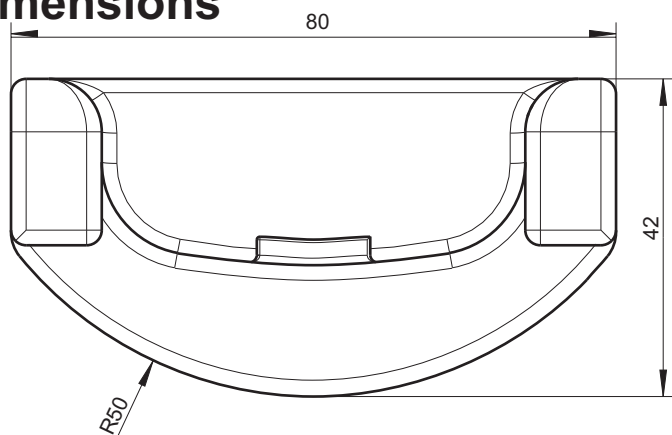


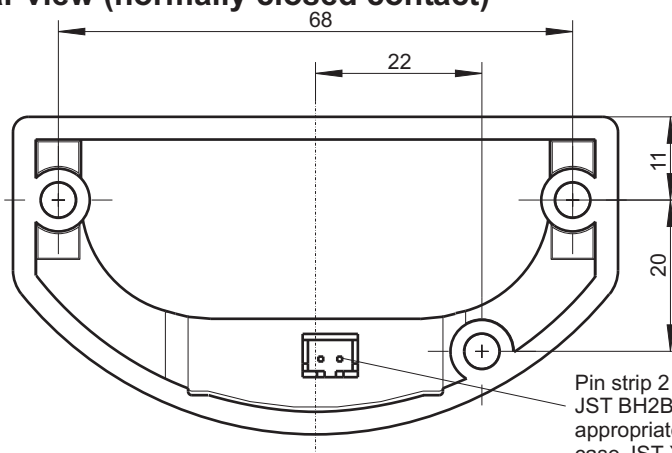
Handset cradle with Reed sensor



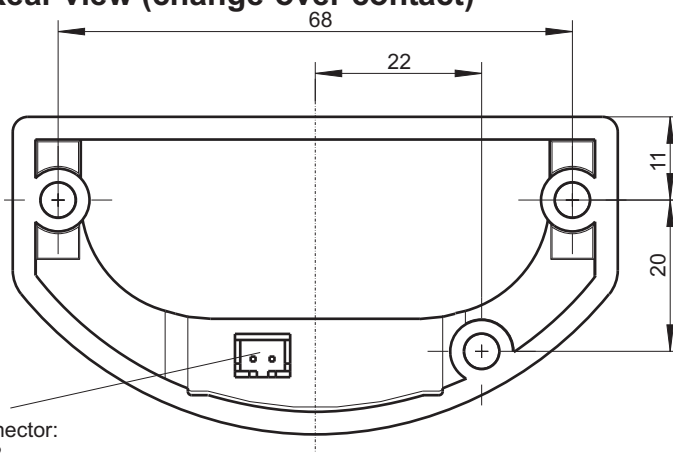
Dimensions



Rear view (normally closed contact)



Rear view (change-over contact)



Pin strip 2 poles
JST BH2B-XH-2
appropriate connector:
case JST XHP-2
+ 2x crimp contact
JST SXH-001T-P0.6N (AWG26...22) or
JST SXH-001T-P0.6 (AWG28...22) or
JST SXH-002T-P0.6 (AWG30...26)

Technical parameters:

version normally closed contact:

- state of rest (handset down):
- switching voltage: max. 200 VDC
 - contact rating: max. 10 W
 - switching current: max. 0,5A
 - switching cycle at 100 V and 100 mA: min. 2×10^6
 - temperature range: -20°C till +70°C

version change-over contact:

- state of rest (handset down):
- switching voltage: max. 175 VDC
 - contact rating: max. 5 W
 - switching current: max. 0,25A
 - switching cycle at 100 V and 100 mA: min. 2×10^6
 - temperature range: -20°C till +70°C

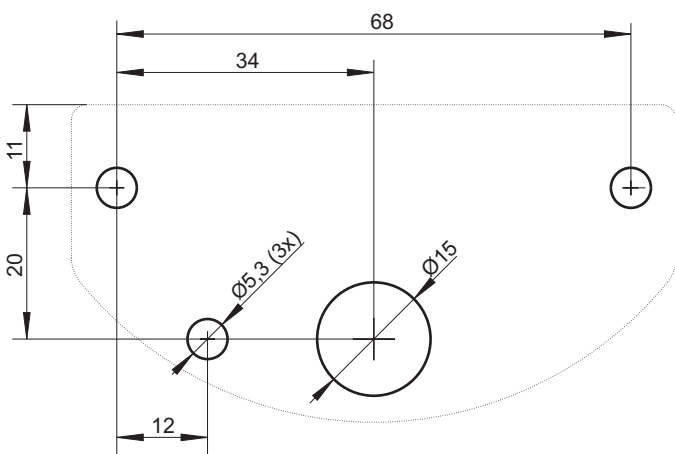
version without switch:

without Reed-sensor

Screw recommendation:

3 pieces thread grooving screws
diameter: $\varnothing 5$ mm
length: approx. 12 mm + thickness mounting plate

Drilling plan normally closed contact (front)



Drilling plan change over contact (front)

